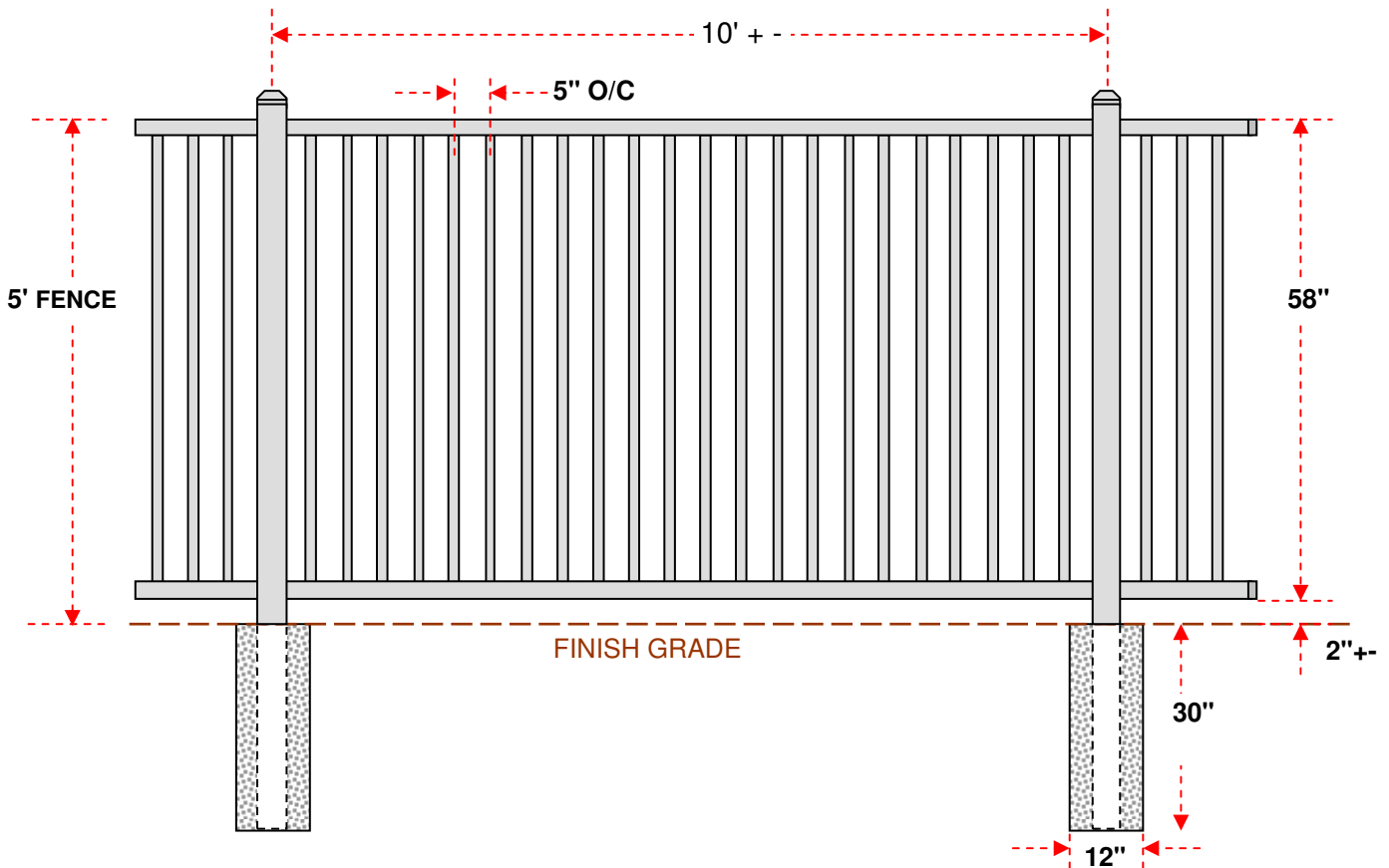


REGAL STYLE ORNAMENTAL IRON FENCE



PLAN VIEW



NOTE: ALL MATERIALS PER ASTM A500 NON GALVANIZED

POSTS: 3" SQ X 11 GA SET APX 10' O/C IN 12" X 30" FOOTINGS

RAILS: 2" SQ X 11 GA

PICKETS: 1" SQ X 16 GA SPACED AT 5" O/C (4" GAPS)

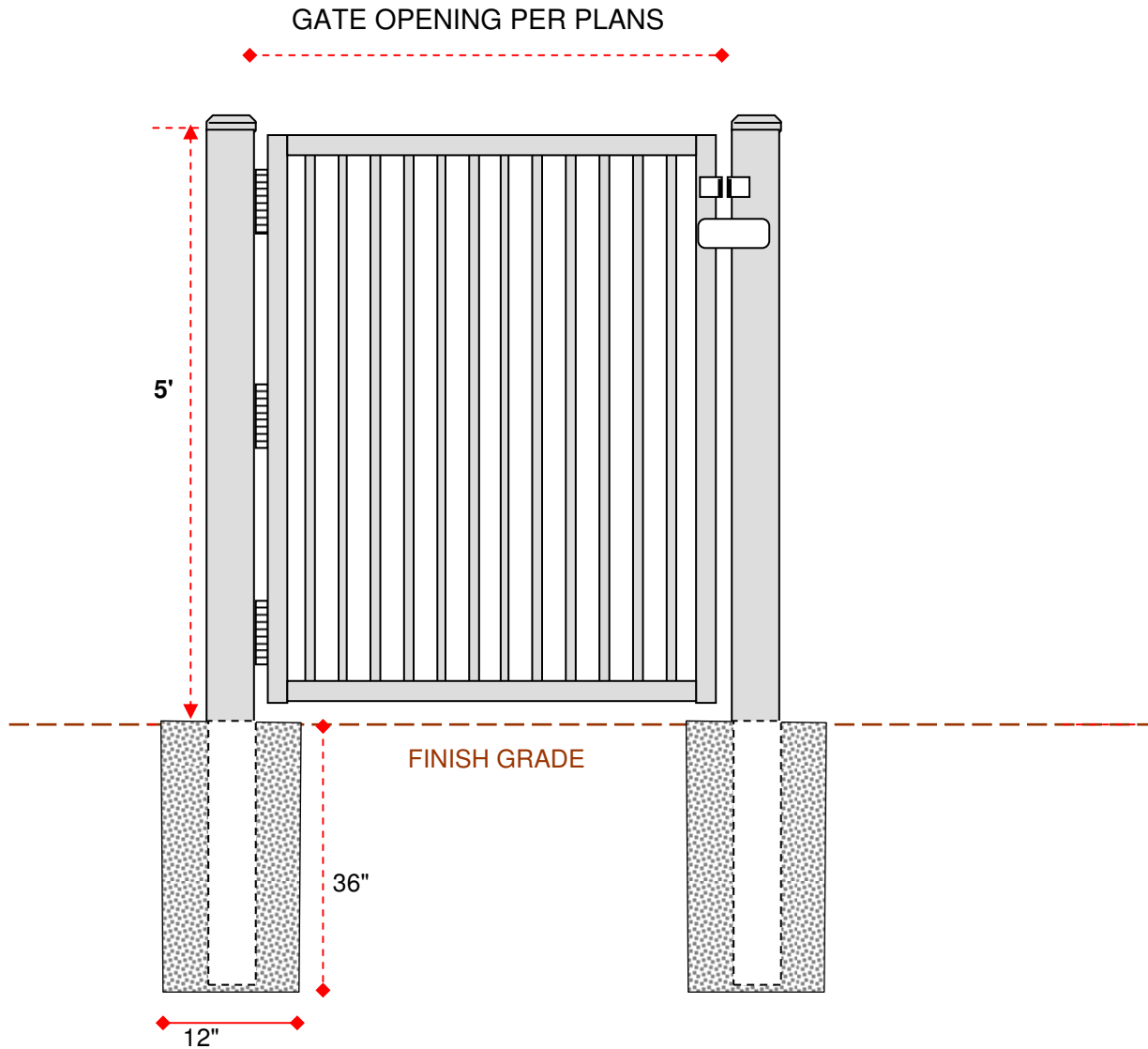
CONCRETE: 2500 LB

PRIME: NATIONAL COATINGS PRIMEKOTE METAL PRIMER 251 SERIES OR EQUAL

FINISH: NATIONAL COATINGS YLIC URETHANE 299 SERIES OR EQUAL

COLOR: CUSTOM (ALL PAINT APPLIED BY ELECTROSTATIC PROCESS)

REGAL STYLE SINGLE SWING GATE



POSTS: UP TO 5' SINGLE LEAF : 3" SQ X 3/16" WALL SET IN 12" X 36" FOOTINGS

FRAME 2" SQ X 11 GA

PICKETS: 1" SQ X 16 GA SPACED AT 5" O/C (4" GAPS)

CONCRETE: 2500 PSI

HINGES: 5" X 5" HD BUTTS 1-1/2 PAIR / LEAF

LATCH: 2" X 2" X 1/4" ANGLE TABS W/ HOLES FOR PADLOCK +
1/4" X 3" X 6" STOP PLATE

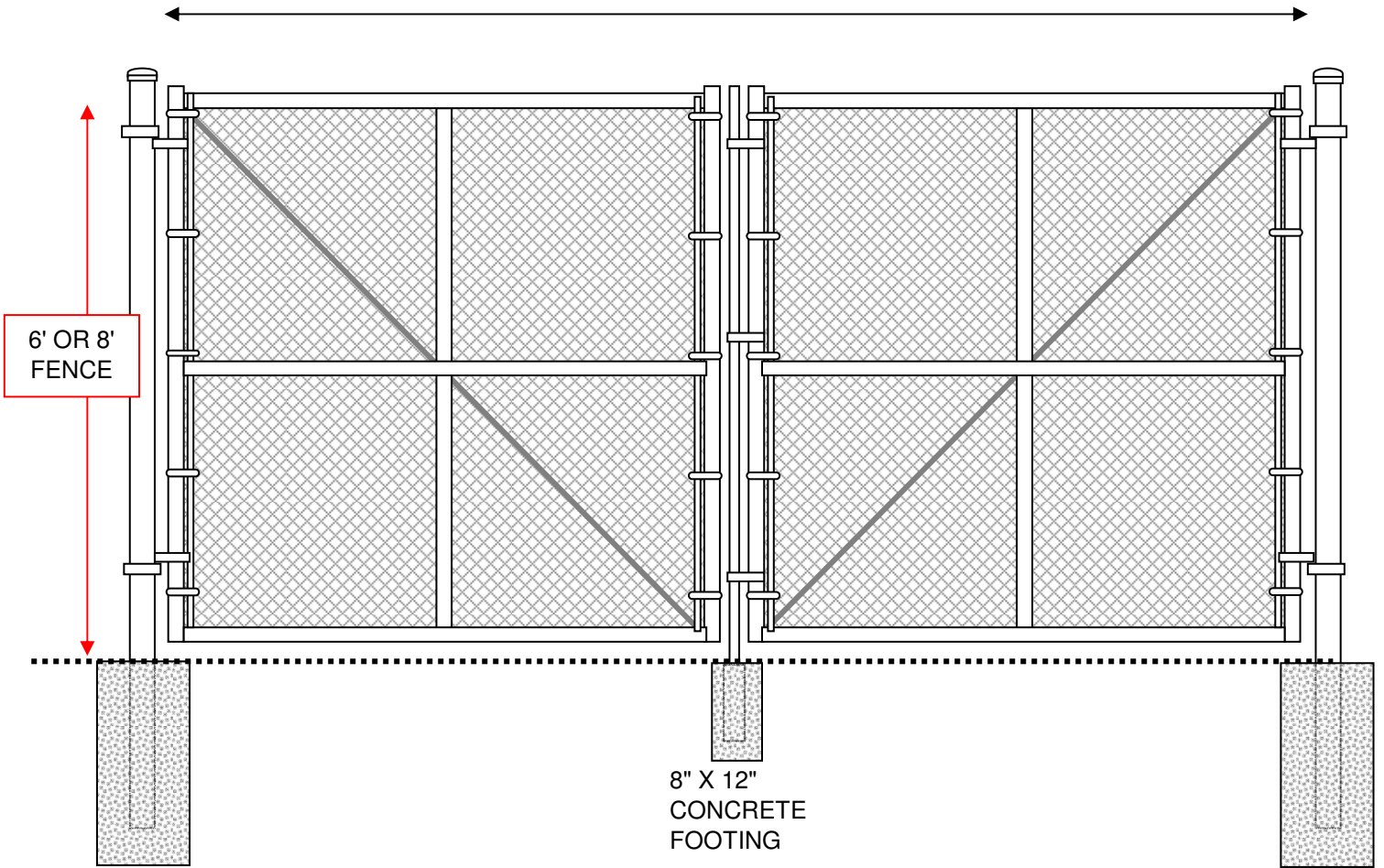
PRIME: NATIONAL COATINGS PRIMEKOTE METAL PRIMER 251 SERIES OR EQUAL

FINISH: NATIONAL COATINGS YLIC URETHANE 299 SERIES OR EQUAL

COLOR: CUSTOM (ALL PAINT APPLIED BY ELECTROSTATIC PROCESS)

CHAIN LINK DOUBLE SWING GATE

GATE OPENING (PER PLANS)



180 DGR INDUSTRIAL HINGE



INDUSTRIAL DROP ROD ASSEMBLY



FABRIC: SAME AS FENCE

FRAME: 1-7/8" SCH. 40 PIPE

TRUSS: 3/8" TRUSS ROD (OVER 5' LEAF ONLY)

GATE POSTS: UP TO 8' SINGLE LEAF : 2-7/8" SCH 40 SET IN 12" X 36" FOOTINGS

UP TO 12' SINGLE LEAF : 4" SCH 40 SET IN 18" X 42" FOOTINGS

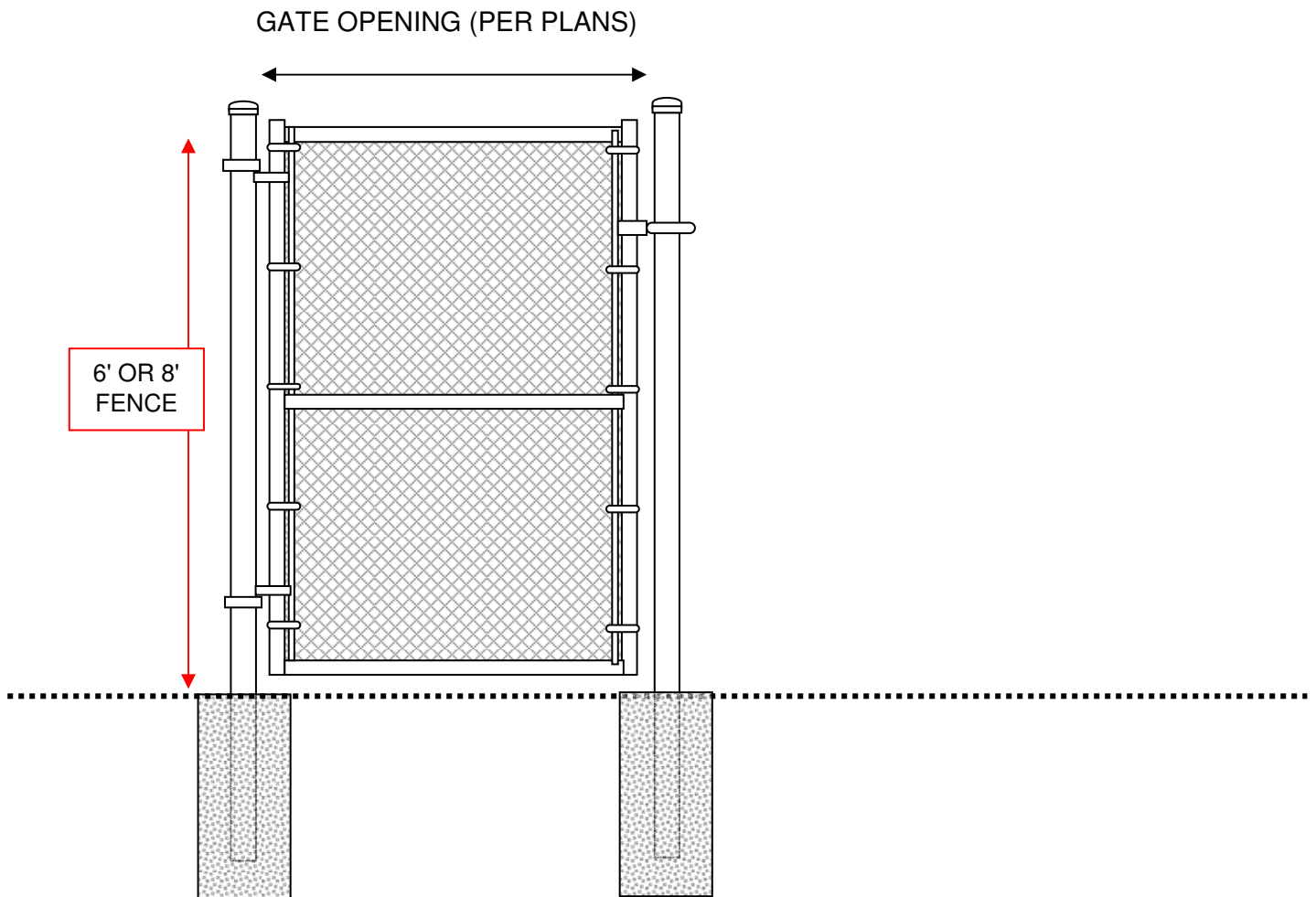
UP TO 18' SINGLE LEAF : 6-5/8" SCH 40 SET IN 18" X 48" FOOTINGS

OVER 18' SINGLE LEAF : 8-5/8" SCH 40 SET IN 24" X 60" FOOTINGS

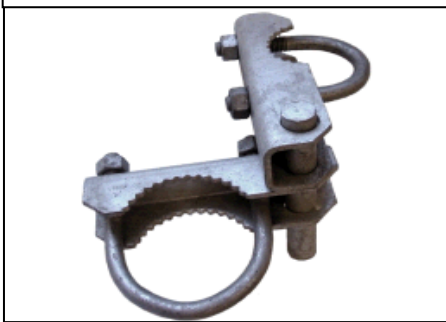
CONCRETE: 2500 PSI

FITTINGS: PRESS STEEL GALV.

CHAIN LINK SINGLE SWING GATE



180 DGR INDUSTRIAL HINGE



FORK LATCH (W/ PADLOCK EYE)



FABRIC: SAME AS FENCE

FRAME: 1-7/8" SCH. 40 PIPE

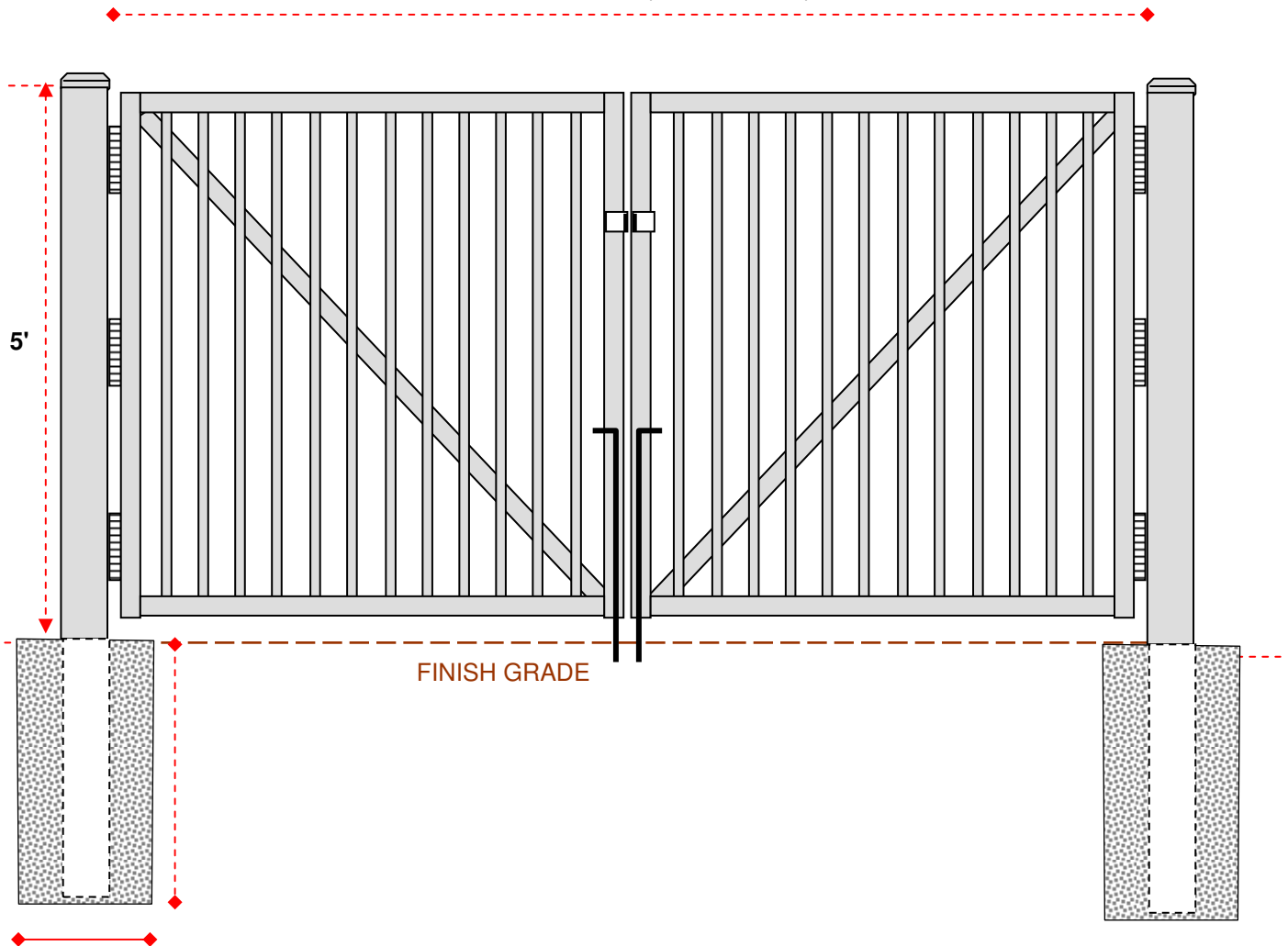
GATE POSTS: UP TO 8' SINGLE LEAF : 2-7/8" SCH 40 SET IN 12" X 36" FOOTINGS

CONCRETE: 2500 PSI

FITTINGS: PRESS STEEL GALV.

REGAL STYLE DOUBLE SWING GATE

GATE OPENING (PER PLANS)



POSTS: UP TO 8' SINGLE LEAF : 4" SQ X 3/16" WALL SET IN 12" X 36" FOOTINGS
UP TO 12' SINGLE LEAF : 6" SQ X 3/16" WALL SET IN 18" X 48" FOOTINGS
OVER 12' LEAF : 8" SQ X 1/4" WALL SET IN 24" X 60" FOOTINGS

FRAME 2" SQ X 11 GA

DIAGONAL BRACE: 2" X 3/16" FLAT STRAP (OVER 5' LEAF ONLY)

PICKETS: 1" SQ X 16 GA SPACED AT 5" O/C (4" GAPS)

CONCRETE: 2500 PSI

HINGES: UP TO 12' LEAF: 5" X 5" HD BUTTS 1-1/2 PAIR / LEAF
OVER 12' LEAF: POWER HINGE OR EQUAL 1-1/2 PAIR / LEAF

LATCH: 2" X 2" X 1/4" ANGLE TABS W/ HOLES FOR PADLOCK +
(2) 3/4" X 36" HEAVY DUTY CANE BOLTS

PRIME: NATIONAL COATINGS PRIMEKOTE METAL PRIMER 251 SERIES OR EQUAL

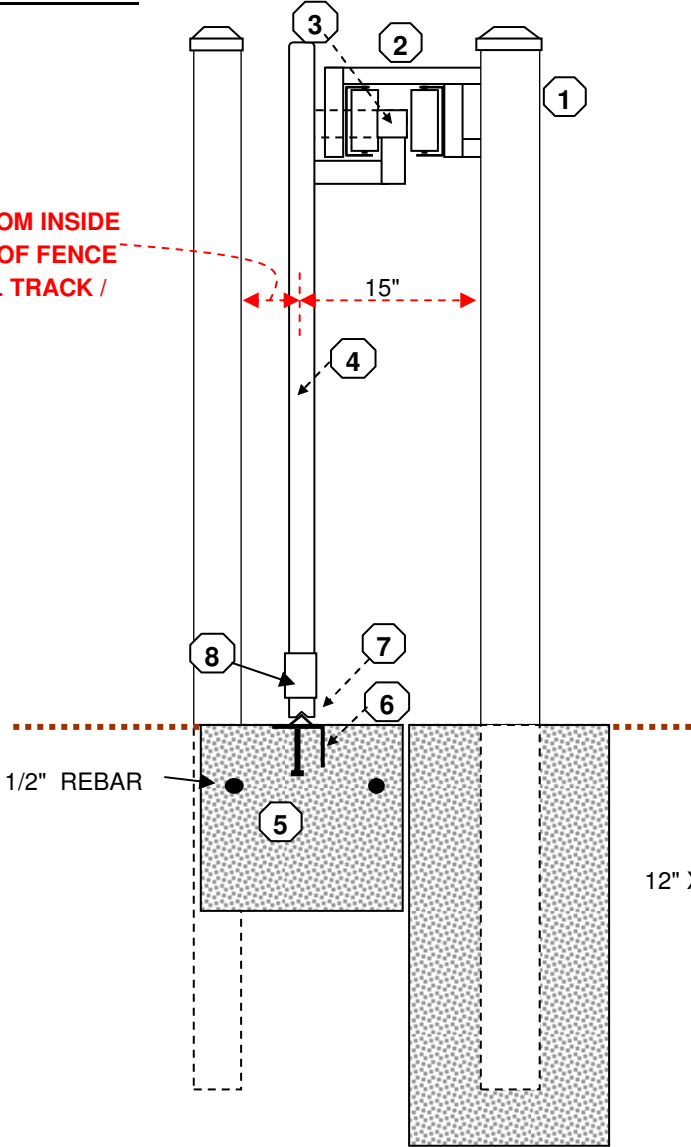
FINISH: NATIONAL COATINGS YLIC URETHANE 299 SERIES OR EQUAL

COLOR: CUSTOM (ALL PAINT APPLIED BY ELECTROSTATIC PROCESS)

PINCH ROLL GATE DETAIL

SECTION VIEW

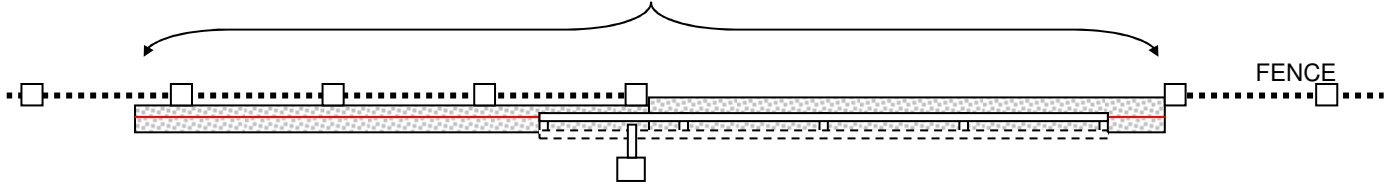
4" FROM INSIDE
FACE OF FENCE
TO C/L TRACK /
GATE.



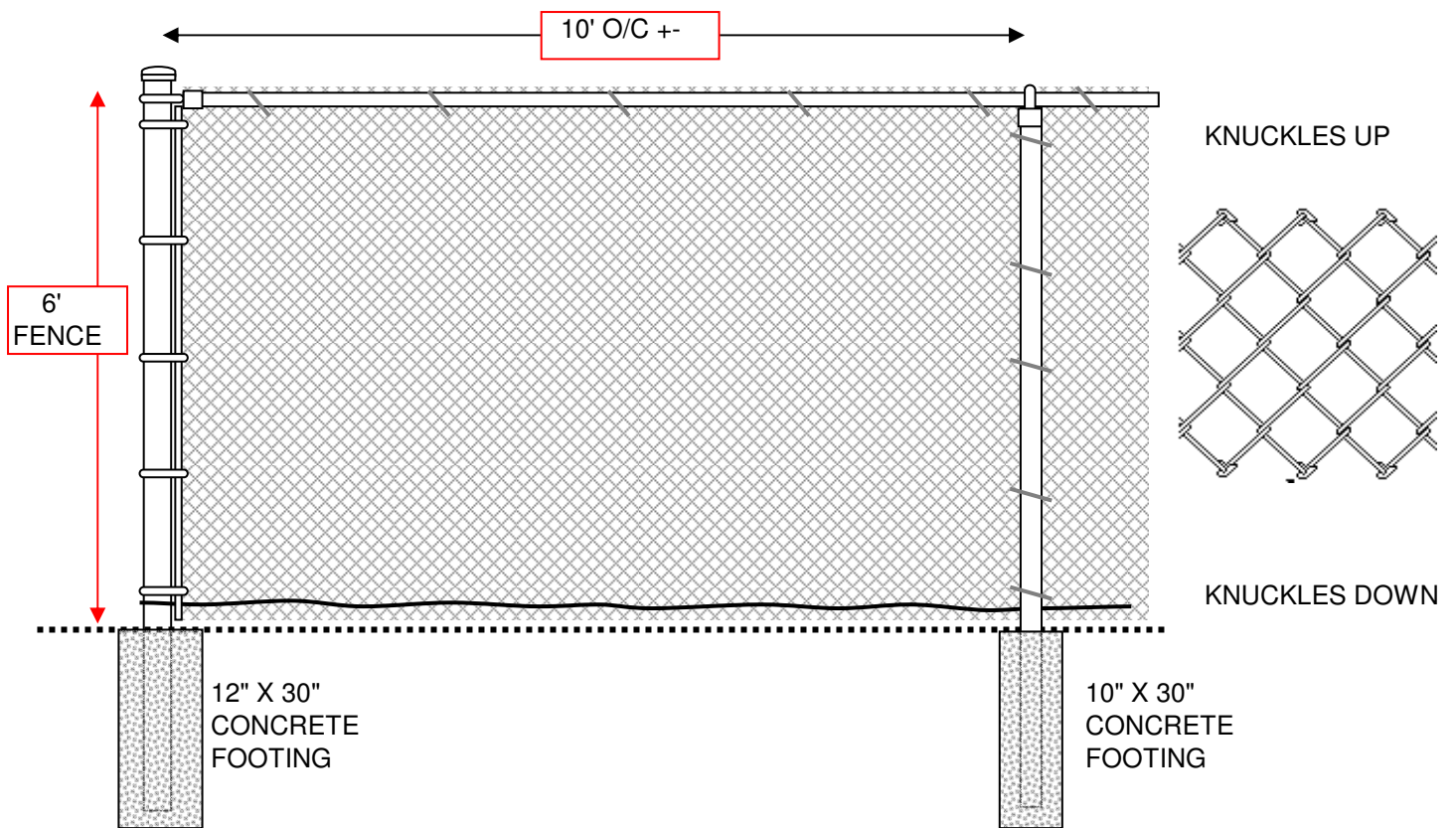
- ① 4" SQ X 11 GA PINCH ROLLER POST (O.I.)
4" SCH 40 PINCH ROLLER POST (CHAIN LINK)
- ② PINCH ROLLER ASSEMBLY
- ③ 2" SQ CONTINUOUS PINCH ROLLER RAIL
CLOSED AT EA. END TO TRAP GATE
- ④ GATE FRAME
- ⑤ 12" X 12" CONT. CONCRETE TRACK FULL TRAVEL
OF GATE. (CAN BE 6" THICK BEHIND FENCE)
- ⑥ 3" X 3" X 3/16" CONT. ANGLE W/ 1/2" X 6" NELSON
STUDS AT 24" O/C.
- ⑦ 1" X 1" X 3/16" CONT. ANGLE FOR TRACK. WELD TO
IMBED IN THE FIELD.
- ⑧ 6" MALLABLE V-GROOVE WHEEL IN BOX

PLAN VIEW

EXTENT OF TRACK (2 X OPENING)



6' CHAIN LINK FENCE



FABRIC: 2" MESH X 9 GA GALV. BEFORE WEAVE 1.2 OZ CLASS I

LINE POSTS: 2-3/8" O.D. SCHEDULE 40 GALVANIZED 2.72 LBS / LF

TERMINAL POSTS: 2-7/8" O.D. SCHEDULE 40 GALVANIZED 5.79 LBS / LF

TOP RAIL: 1-5/8" O.D. SCHEDULE 40 GALVANIZED 2.27 LBS / LF

TENSION WIRE: BARBLESS CABLE, GALVANIZED

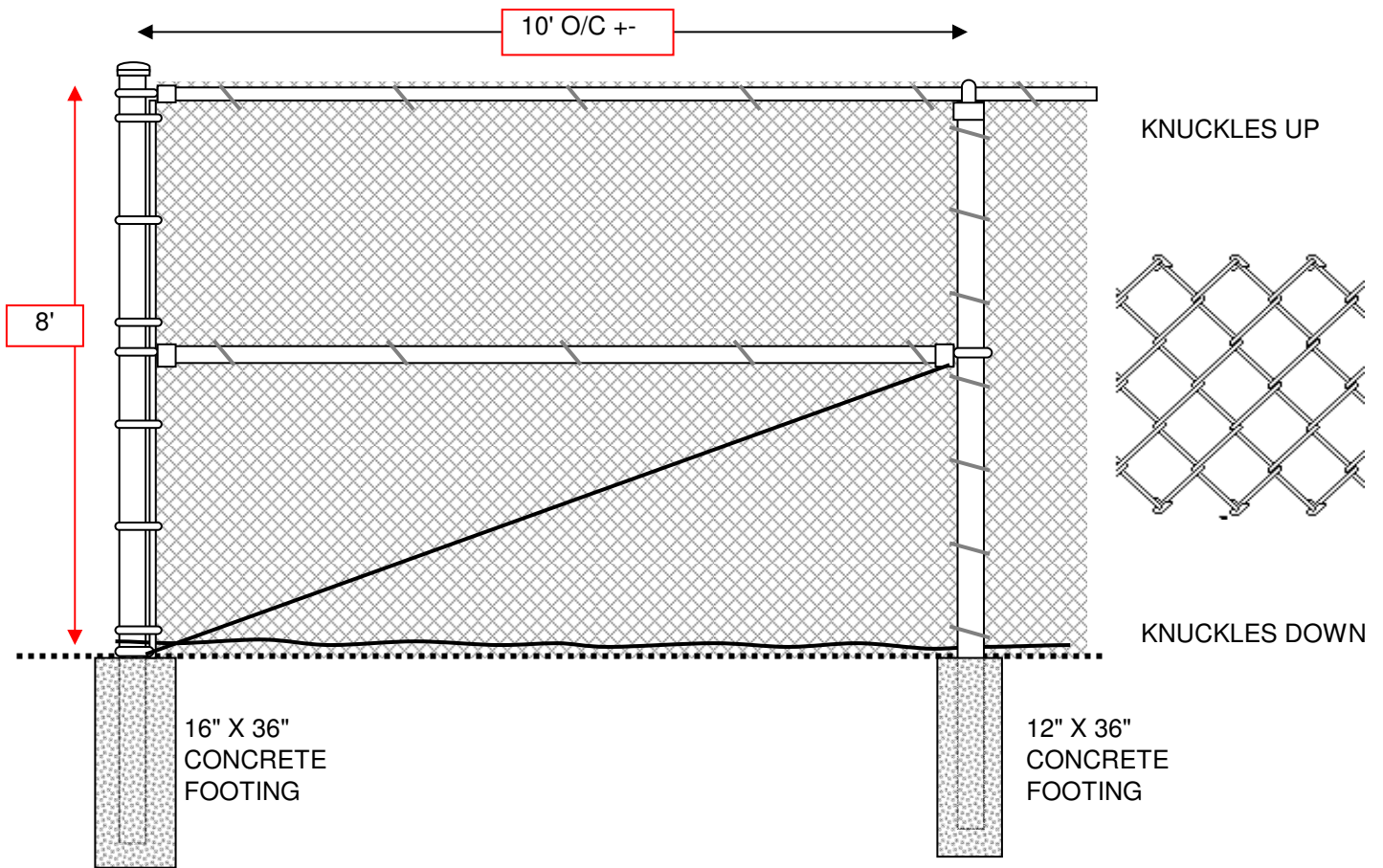
CONCRETE: 2500 LB PSI

FITTINGS: PRESS STEEL GALV.

TIE WIRES: 12 GA GALVANIZED SPACED AT 24" O/C FOR HORIZ. RAIL, & 18" O/C FOR POSTS

HOG RINGS: 12 GA GALVANIZED SPACED AT 24" O/C

8' CHAIN LINK FENCE



FABRIC: 2" MESH X 9 GA GALV. BEFORE WEAVE 1.2 OZ CLASS I

LINE POSTS: 2-3/8" O.D. SCHEDULE 40 GALVANIZED 2.72 LBS / LF

TERMINAL POSTS: 2-7/8" O.D. SCHEDULE 40 GALVANIZED 5.79 LBS / LF

TOP RAIL: 1-5/8" O.D. SCHEDULE 40 GALVANIZED 2.27 LBS / LF

TENSION WIRE: BARBLESS CABLE, GALVANIZED

BRACES: 1-5/8" O.D. SCHEDULE 40 GALVANIZED 3.65 LBS / LF W/ 3/8" TRUSS ROD

CONCRETE: 2500 LB PSI

FITTINGS: PRESS STEEL GALV.

TIE WIRES: 12 GA GALVANIZED SPACED AT 24" O/C FOR HORIZ. RAIL, & 18" O/C FOR POSTS

HOG RINGS: 12 GA GALVANIZED SPACED AT 24" O/C